

QUADRO
TECNICO/TECHNICAL



TECNICO QUADRO / QUADRO TECHNICAL

Acabado / Finition: Lacado mate antibacterias y laminado / Antibacterial Matt lacquered and laminate

Estructura / Structure: Metálica / Metallic

ACABADOS QUADRO / QUADRO FINISHES

Lacado mate / matt lacquered:



B-Ada

Ceniza

Laminados / laminates:



Costa

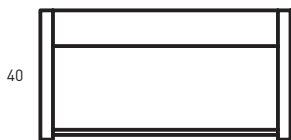
Valenti

MEDIDAS QUADRO / QUADRO DIMENSIONS

Estructura suspendida para lavabo integrado

Wall hang structure for integrated basin

Fondo/Depth 46 cm



60-80-100

Estructura suspendida para lavabo sobreponer

Wall hang structure for vessel basin

Fondo/Depth 46 cm

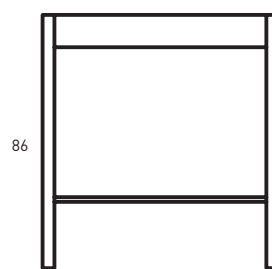


60-80-100

Estructura a suelo para lavabo integrado

Floor standing structure for integrated basin

Fondo/Depth 46 cm

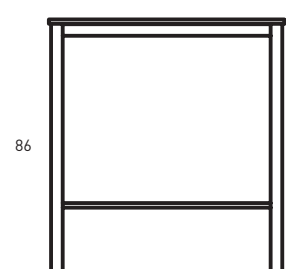


60-80-100

Estructura a suelo para lavabo sobreponer

Floor standing structure for vessel basin

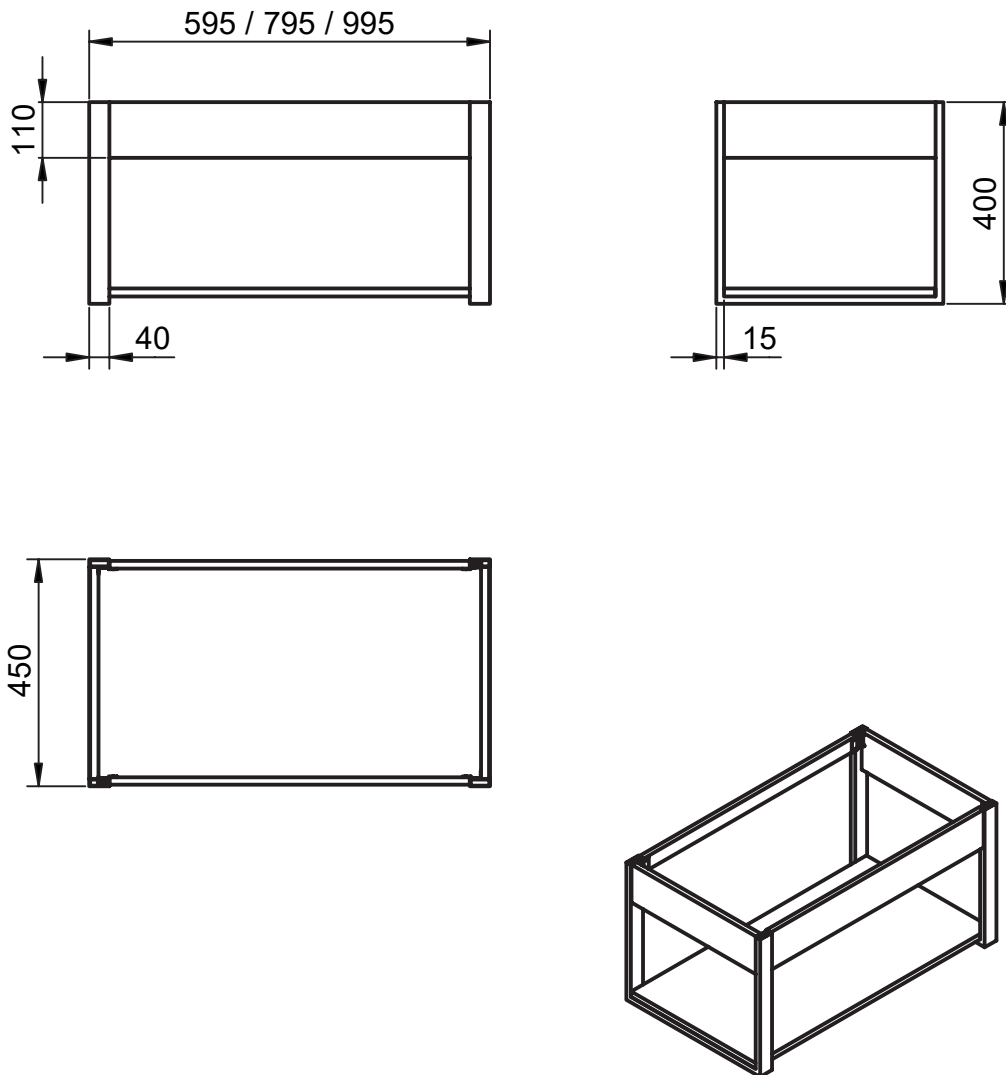
Fondo/Depth 46 cm



60-80-100

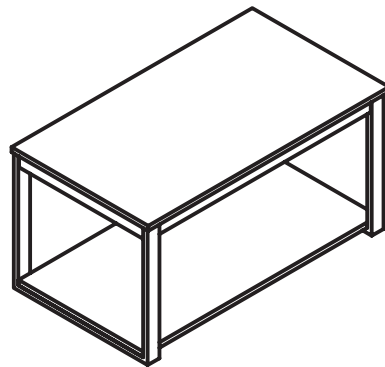
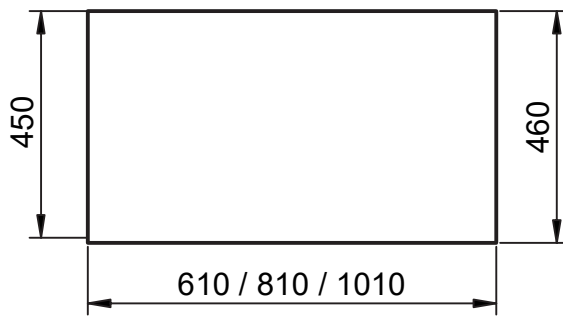
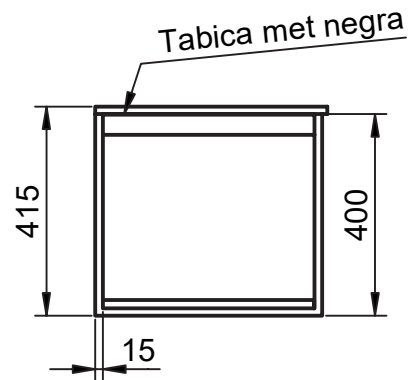
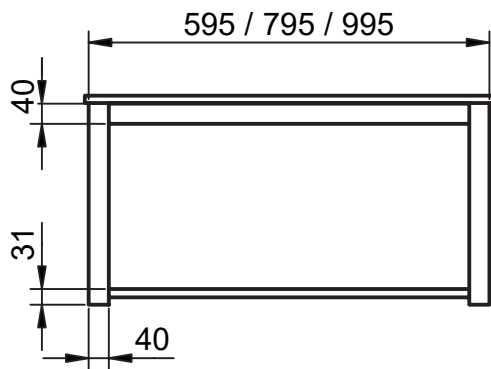
Estructura suspendida para lavabo integrado

Wall hung structure for integrated basin



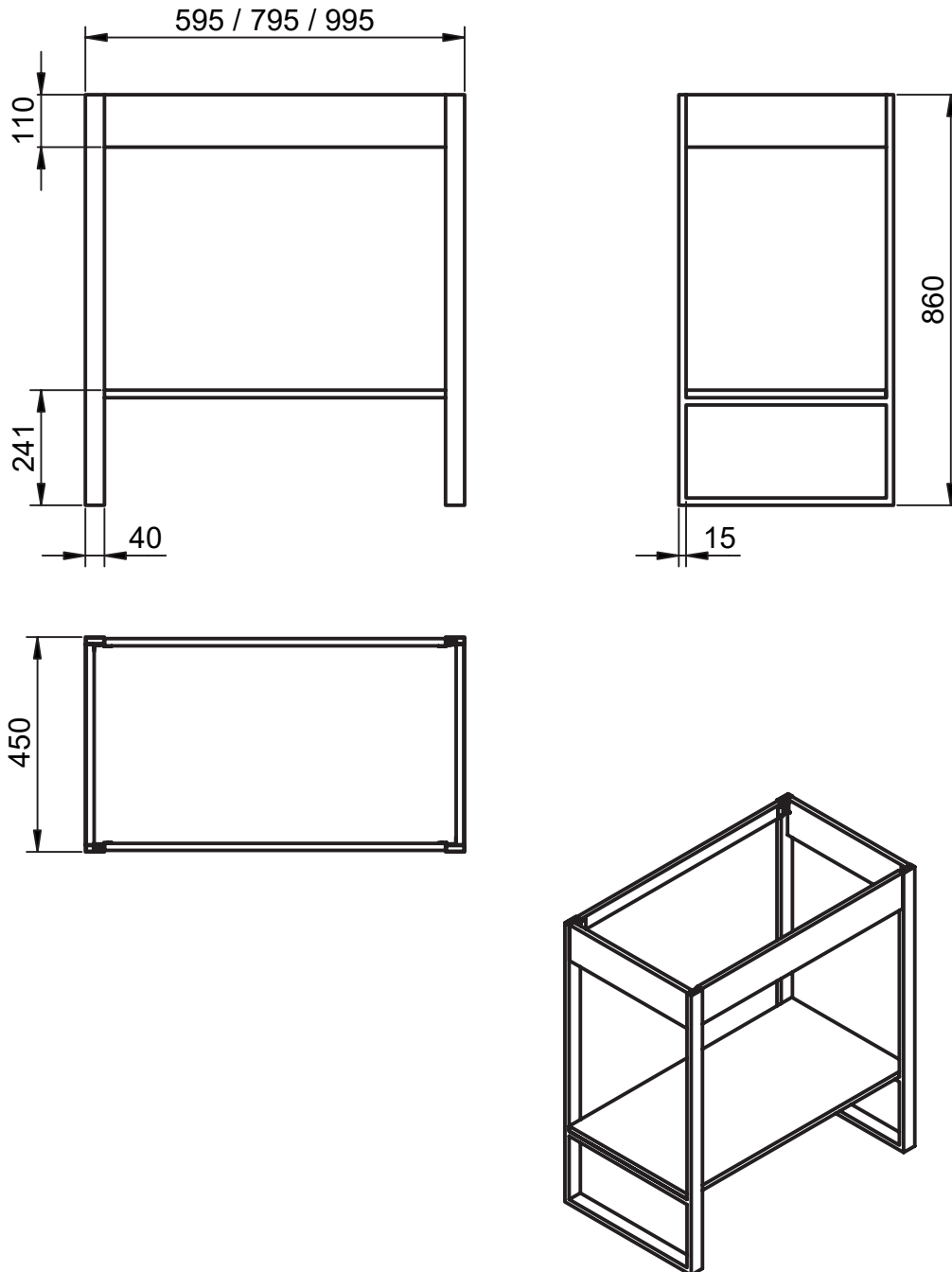
Estructura suspendida para lavabo de sobreponer

Wall hung structure for vessel basin



Estructura a suelo para lavabo integrado

Floor standing structure for integrated basin



Estructura a suelo para lavabo de sobreponer

Floor standing structure for vessel basin

